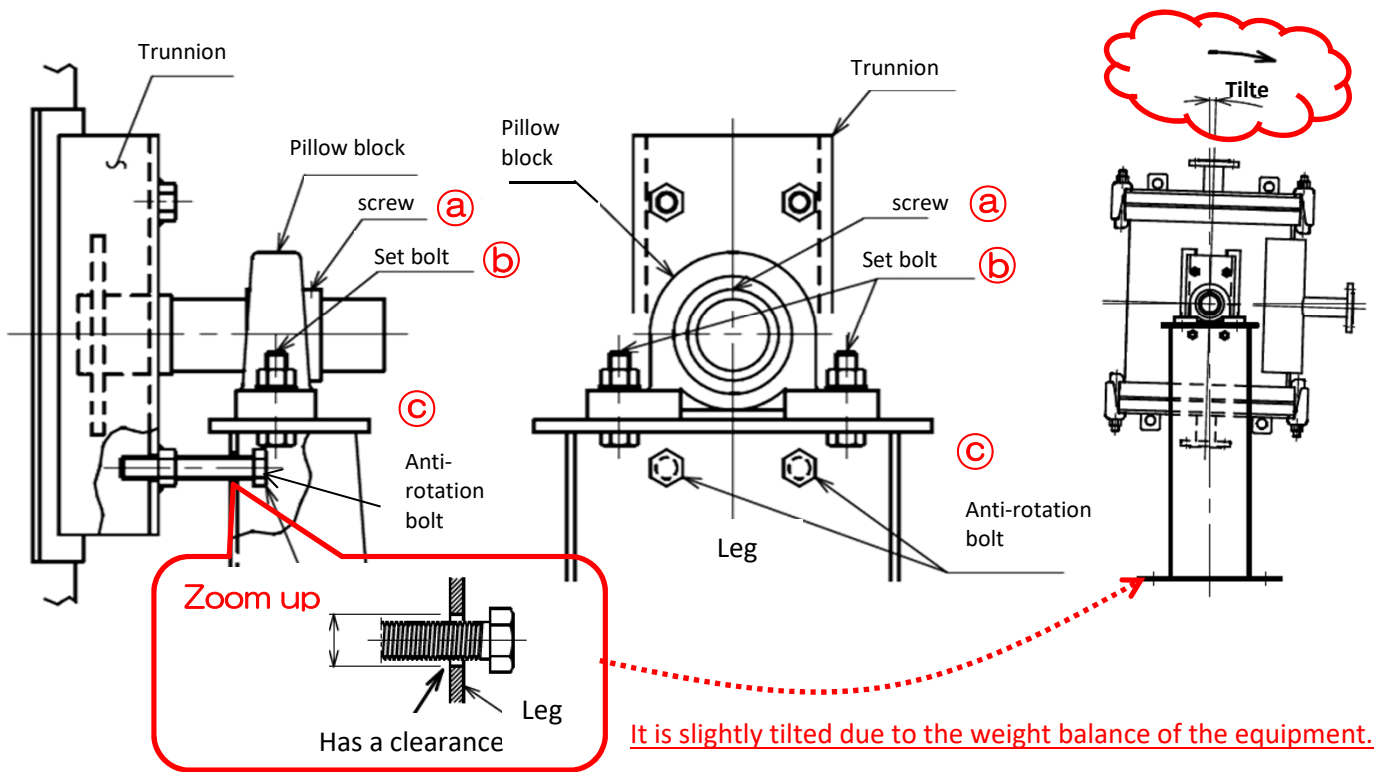


Installation guide for rotating parts

There is a option of spiral heat exchanger has the ability to rotate the body to facilitate maintenance. Since a pillow block is used for the rotating function, please follow the following procedure when installing it.



Steps

- 1) Slightly lift the spiral body up to the center of both legs fixed to the base, and using a crane or others, and perform the following 2-4) while the body is suspended.
- 2) Loose (a), and adjust the pillow block.
- 3) Set bolts (b) tighten them temporarily.
- 4) Set Anti-rotation bolt (c) to the nuts on Trunnion temporarily.
- 5) Complete section 4) 、 install the body and tight (a) and (b)

Reference

The anti-rotation bolts are designed to prevent the unit from rotating significantly and are not designed to fix the levelness of the unit. Therefore, it is slightly tilted due to the weight balance of the equipment.

When piping, please adjust the levelness with a jacked or stand. The leveling accuracy is the same as for other general plant equipment.

A slight inclination of the body of the equipment will not cause any problems for the performance of the heat exchanger. There is no requirement for a small degree of accuracy, but it is recommended that the inclination is within one degree.

In detail contact us (KUROSE) or our local partner with our products serial number.

KUROSE CHEMICAL EQUIPMENT CO., LTD.